

FOR USE IN AMBIENT AND GENERAL LIGHTING APPLICATIONS

PROJECT
TYPE
PART NUMBER

FEATURES

- Low profile fixture with a simple and clean aesthetic
- Diverse controls compatibilities provide ease of mind in useability
- Ideal for surface mount general lighting needs
- End to end illumination using a dependable light engine with an L70 of greater than 150,000 hours
- Wide variety of lumen packages available
- Color Tuning and RGBW available with correlating controls packages



SPECIFICATIONS

CONSTRUCTION

Pre painted white steel utilizing screw fasteners for gear tray connection
White acrylic endcaps

MOUNTING & INSTALLATION

Surface mount
Connection brackets upon request to be used for end to end applications
Installation kits available for various ceiling styles

OPTICAL

Evenly diffuse extruded acrylic lens
Wide distribution due to wrap around curved lens

ELECTRICAL

LED Light Engine designed for reliability and long life operation
Standard 0-10V dimming to 1%
120 - 277 V standard; 347V or 480V available

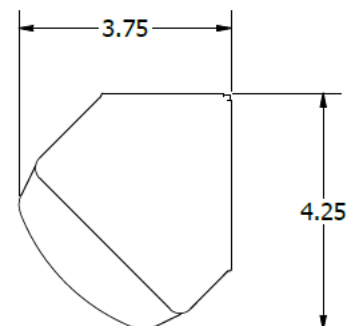
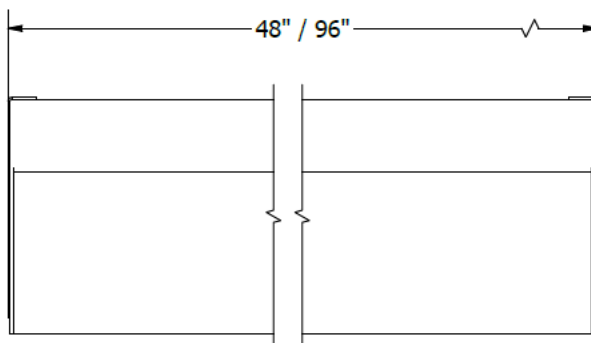
CONTROLS

Individual or grouping control with many solutions available
Consult factory for specific requirements

LISTINGS

DesignLights Consortium 5.1 qualified, see DLC QPL
ETL safety certified for damp locations
Standard 5 year warranty

DIMENSIONAL INFORMATION



ORDERING INFORMATION

STYLE	SIZE	LIGHT ENGINE		COLOR TEMP	FR-45	OPTIONS (CONTINUED)
F FIXTURE	14CE 1' x 4'	1' X 4'	1' X 8'	35 3500K	FR-45	FR FROSTED LENS (STANDARD OPTION)
	18CE 1' x 8'	F4X2S 13W 1819 LUMENS	F4L4S 27W 3638 LUMENS	40 4000K		
	1' x 2' OPTIONS AVAILABLE	F4X8S 18W 2467 LUMENS	F4N6S 36W 4935 LUMENS	50 5000K		
	F4L4S 24W 3211 LUMENS	F4M6S 48W 6422 LUMENS	3550* 3500K - 5000K (SELECTABLE)			
	F4L9S 29W 3870 LUMENS	F4H8S 58W 7739 LUMENS	2765* 2700K - 6500K (ADJUSTABLE)			
	F4N2S 32W 4216 LUMENS	F4V4S 64W 8431 LUMENS				
	F4N5S 35W 4576 LUMENS	F4Y0S 70W 9153 LUMENS				
	F4N9S 39W 5074 LUMENS	F4Y9S 79W 10149 LUMENS				
	F4M4S 44W 5622 LUMENS	F4Z9S 89W 11244 LUMENS				
						LVD120 / 277 120V / 277V LINE VOLTAGE DIMMING
						D PREWIRED FOR 0-10V DIMMING
						EM EMERGENCY BACKUP INCLUDED (6W STANDARD)
						RGBW* COLOR CHANGING WITH VARIOUS CONTROL OPTIONS AVAILABLE
						BABA BABA COMPLIANT
					CUSTOM OPTIONS	

* 3550 adder for field-selectable via onboard switches

* 2765 and RGBW adders are options only available using a compatible control system

ADDITIONAL GRAPHICS

