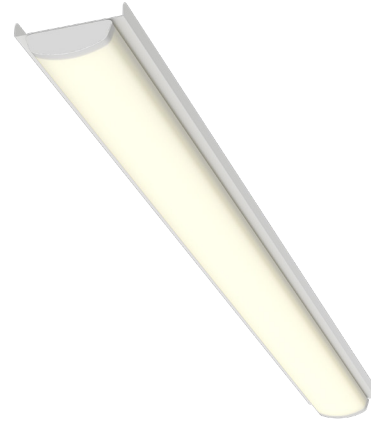


FOR USE IN AMBIENT AND GENERAL LIGHTING APPLICATIONS

PROJECT  
TYPE  
PART NUMBER

**FEATURES**

- Low profile fixture with a simple and clean aesthetic
- Diverse controls compatibilities provide ease of mind in useability
- Ideal for retrofitting linear channels in surface mount or suspended conditions
- Standard option fits industry-standard 4.25" strip channel, for more sizes, consult factory
- End to end illumination using a dependable light engine with an L70 of greater than 150,000 hours
- Wide variety of lumen packages available
- Color Tuning and RGBW available with correlating controls packages



**SPECIFICATIONS**

**CONSTRUCTION**

Pre painted white aluminium heat sink with white steel bracketry  
White acrylic endcaps

**MOUNTING & INSTALLATION**

Bracket set mounted into existing fixture  
47.1875" standard quarter turn spacing on heat sink

**OPTICAL**

Evenly diffuse extruded acrylic lens  
Wide distribution due to wrap around curved lens

**ELECTRICAL**

LED Light Engine designed for reliability and long life operation  
Standard 0-10V dimming to 1%  
120 - 277 V standard; 347V or 480V available

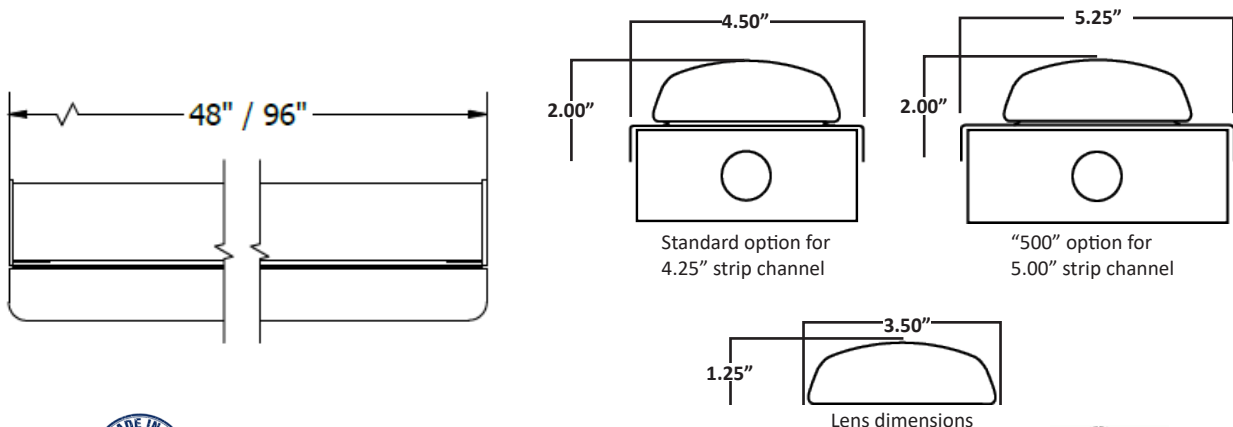
**CONTROLS**

Individual or grouping control with many solutions available  
Consult factory for specific requirements

**LISTINGS**

DesignLights Consortium 5.1 qualified, see DLC QPL  
ETL safety certified for damp locations  
Standard 5 year warranty

**DIMENSIONAL INFORMATION**



**ORDERING INFORMATION**

STYLE	SIZE	LIGHT ENGINE		COLOR TEMP	FR OPTIONS	OPTIONS (CONTINUED)
K KIT	<b>14CE</b> 1' x 4'	<b>1' X 4'</b>	<b>1' X 8'</b>	<b>35</b> 3500K	<b>FR</b> FROSTED LENS (STANDARD OPTION)	<b>SD</b> STEP DIMMING (BI LEVEL OR TRI LEVEL)
	<b>18CE</b> 1' x 8'	<b>F4X2H</b> 13W 1863 LUMENS	<b>F4L6H</b> 26W 3726 LUMENS	<b>40</b> 4000K		
	1' x 2' OPTIONS AVAILABLE	<b>F4X8H</b> 18W 2532 LUMENS	<b>F4N6H</b> 36W 5064 LUMENS	<b>50</b> 5000K		
	<b>F4L4H</b> 24W 3308 LUMENS	<b>F4M6H</b> 48W 6616 LUMENS	<b>3550*</b> 3500K - 5000K (SELECTABLE)			
	<b>F4L9H</b> 29W 4000 LUMENS	<b>F4H8H</b> 58W 7999 LUMENS	<b>2765*</b> 2700K - 6500K (ADJUSTABLE)			
	<b>F4N2H</b> 32W 4375 LUMENS	<b>F4V4H</b> 64W 8750 LUMENS				
	<b>F4N5H</b> 35W 4759 LUMENS	<b>F4Y0H</b> 70W 9518 LUMENS				
	<b>F4N9H</b> 39W 5288 LUMENS	<b>F4Y9H</b> 79W 10576 LUMENS				
	<b>F4M8H</b> 49W 6432 LUMENS	<b>F4C5H</b> 98W 12864 LUMENS				
						<b>D</b> PREWIRED FOR 0-10V DIMMING
						<b>EM</b> EMERGENCY BACKUP INCLUDED (6W STANDARD)
						<b>500</b> 5.25" BALLAST COVER FOR 5" STRIP*
						<b>RGBW*</b> COLOR CHANGING WITH VARIOUS CONTROL OPTIONS AVAILABLE
					<b>CUSTOM OPTIONS</b>	

\* 3550 adder for field-selectable via onboard switches

\* 2765 and RGBW adders are options only available using a compatible control system

\* For more sizes, consult factory

**ADDITIONAL GRAPHICS**

