

FOR USE IN AMBIENT AND GENERAL LIGHTING APPLICATIONS

PROJECT  
TYPE  
PART NUMBER

## FEATURES

- Low profile fixture with a simple and clean aesthetic
- Diverse controls compatibilities provide ease of mind in usability
- Ideal for suspended or surface mount general lighting needs, varied options available for mounting
- End to end illumination using a dependable light engine with an L70 of greater than 150,000 hours
- Wide variety of lumen packages available
- Color Tuning and RGBW available with correlating controls packages



## SPECIFICATIONS

### CONSTRUCTION

Pre painted white steel utilizing screw fasteners for gear tray connection  
White acrylic endcaps

### MOUNTING & INSTALLATION

Suspended or surface mount  
Connection brackets upon request to be used for end to end applications  
Installation kits available for various ceiling styles

### OPTICAL

Evenly diffuse extruded acrylic lens  
Wide distribution due to wrap around curved lens

### ELECTRICAL

LED Light Engine designed for reliability and long life operation  
Standard 0-10V dimming to 1%  
120 - 277 V standard; 347V or 480V available

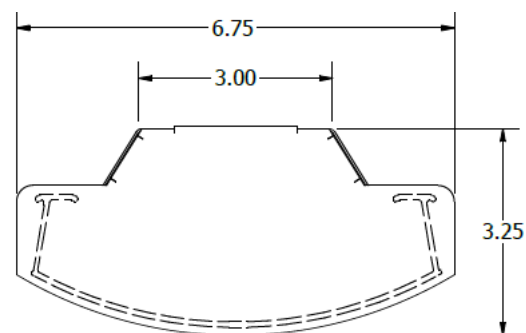
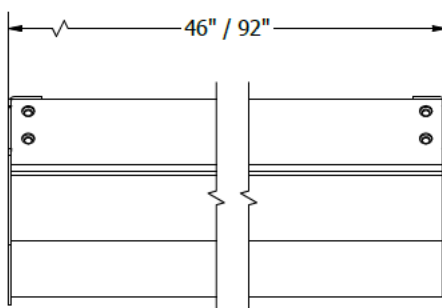
### CONTROLS

Individual or grouping control with many solutions available  
Consult factory for specific requirements

### LISTINGS

DesignLights Consortium 5.1 qualified, see DLC QPL  
ETL safety certified for damp locations  
Standard 5 year warranty / 10 year warranty available upon request

## DIMENSIONAL INFORMATION



**ORDERING INFORMATION**

STYLE	SIZE	LIGHT ENGINE		COLOR TEMP	OPTIONS	OPTIONS (CONTINUED)
<b>F</b> FIXTURE	<b>14CR</b> 1' x 4'	<b>1' X 4'</b>	<b>1' X 8'</b>	<b>35</b> 3500K	<b>FR</b> FROSTED LENS (STANDARD OPTION)  <b>SAL</b> STANDALONE FIXTURE  <b>CONTINUOUS ROW OPTIONS:</b>  <b>STR</b> START OF ROW FIXTURE  <b>MID</b> MIDDLE OF ROW FIXTURE  <b>END</b> END OF ROW FIXTURE	<b>SD</b> STEP DIMMING (BI LEVEL OR TRI LEVEL)  <b>LVD120 / 277</b> 120V / 277V LINE VOLTAGE DIMMING  <b>D</b> PREWIRED FOR 0-10V DIMMING  <b>EM</b> EMERGENCY BACKUP INCLUDED (6W STANDARD)  <b>RGBW*</b> COLOR CHANGING WITH VARIOUS CONTROL OPTIONS AVAILABLE  <b>BABA</b> BABA COMPLIANT
	<b>18CR</b> 1' x 8'	<b>L4L</b> 18W 2514 LUMENS	<b>L4VL</b> 24W 3485 LUMENS	<b>40</b> 4000K		
	1' x 2' OPTIONS AVAILABLE	<b>L4N</b> 24W 3218 LUMENS	<b>L4LL</b> 30W 4305 LUMENS	<b>50</b> 5000K		
		<b>L4M</b> 28W 3727 LUMENS	<b>L4L</b> 36W 5029 LUMENS	<b>3550*</b> 3500K - 5000K (SELECTABLE)		
		<b>L4S</b> 33W 4234 LUMENS	<b>L4N</b> 48W 6554 LUMENS	<b>2765*</b> 2700K - 6500K (ADJUSTABLE)		
		<b>L4MH</b> 37W 4658 LUMENS	<b>L4M</b> 56W 7454 LUMENS			
		<b>L4H</b> 48W 6554 LUMENS	<b>L4S</b> 66W 8468 LUMENS			
		<b>L4V</b> 54W 7266 LUMENS	<b>L4MH</b> 77W 9596 LUMENS			
		<b>L4VH</b> 60W 7889 LUMENS	<b>L4H</b> 96W 13108 LUMENS			
		<b>L4VV</b> 69W 8857 LUMENS	<b>L4V</b> 109W 14532 LUMENS			
		<b>L4VH</b> 120W 15778 LUMENS				
		<b>L4VV</b> 138W 17714 LUMENS				

**CUSTOM OPTIONS**

\* 3550 adder for field-selectable via onboard switches  
\* 2765 and RGBW adders are options only available using a compatible control system

**ADDITIONAL GRAPHICS**

