

# E1 LED FIXTURE LOW PROFILE EMERGENCY UNIT



FOR USE IN AMBIENT AND GENERAL LIGHTING APPLICATIONS

PROJECT  
TYPE  
PART NUMBER

## FEATURES

Adjustable long lasting, efficient, ultra bright white LED lamp heads

One, 0.5 watt white LED per lamp head

Unique all-inclusive lamp, reflector and lens assembly

Dual 120/277 voltage standard. Optional dual 120/230 voltage available

Standard E-1 contains (2) 0.5W white LED heads that produce 39 lumens per LED head.

E-1-HL contains (2) 2.0W white LED heads that produce 110 lumens per LED head.



## SPECIFICATIONS

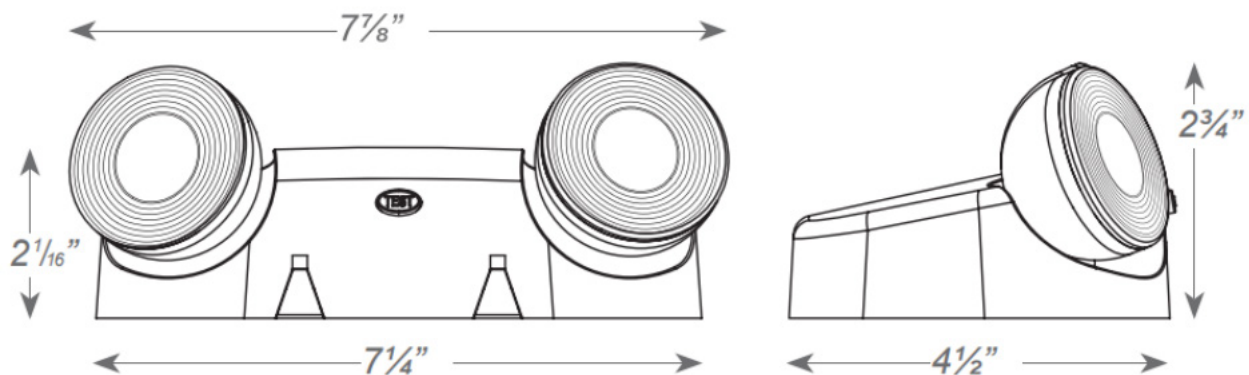
### BATTERY

Unique bi-color LED indicator light alerts occupant on battery condition (Green-normal, Red-check battery). 3.6V long life, maintenance-free, rechargeable NiCd battery. Internal solid-state transfer switch automatically connects the internal battery to LED lamp heads for minimum 90-minute emergency illumination. Fully automatic solid-state, two rate charger initiates battery charging to recharge a discharged battery in 24 hours

### MOUNTING & CONSTRUCTION

Universal knockout pattern on back plate for surface mount. Suitable for wall or ceiling mount

## DIMENSIONAL INFORMATION



**ORDERING INFORMATION**

STYLE	HOUSING COLOR	OPTIONS
<b>E-1</b> FIXTURE	<b>BLANK</b> WHITE  <b>B</b> B	<b>RC</b> REMOTE CAPACITY  <b>SPV</b> 120/230 VOLT 50/60Hz  <b>HL</b> HIGH LUMEN

