

**WARNING**

THESE INSTALLATION INSTRUCTIONS APPLICABLE ONLY FOR **ESI LIGHTING GA SERIES**

**DANGER - RISK OF SHOCK****DISCONNECT POWER BEFORE INSTALLATION**

Suitable for damp AND Wet locations.

All work must be performed by a qualified electrician.

This product must be installed in accordance with NEC and your local codes by a person familiar with the construction and operation of the product and hazards involved.

In the event of a component failure, replacement components must be identical to those provided in the initial assembly. Replacement components must be installed exactly as they were in the provided assembly.

**FIXTURE POWER FEED**

Connections to both the Luminaire Disconnect AND ground wire must be made for proper energization of the GA Series LED Fixture. Provided Luminaire Disconnect will always be pre-wired into the LED Driver. Ensure proper polarity when wiring into the Luminaire Disconnect. Black = Hot, White = Neutral. The Fixture Ground Wire requires connection to a circuit grounding conductor. Connection to the Luminaire Disconnect and Ground Wire can be made through any electrical access hole in the fixture. These holes are located on the back of the fixture, and one on each side of the fixture. Ensure holes not used for power feed or mounting provisions are capped with a provided endplug.

The location of the Luminaire Disconnect varies based on the method of mounting. In many applications it will be necessary to remove the lens of the fixture by pushing on the pins that hold in the lens from the back side of the fixture. Once the lens is removed, the LED Module can be removed by squeezing the gear pan clips. Once the clips have been disengaged from the LED Module, the LED Module can be carefully dropped from its mounted location in the fixture body. This will allow for access to the electrical cavity within the fixture.

If the GA Series was provided with a cord / whip, power feed instructions will not be fully applicable. Ensure electrical connections are made within a proper electrical enclosure and proper strain relief is provided at the cord pendant. Strain relief must be a UL Listed Wet Rated cord grip. Polarity Considerations and Ground connections must still be followed.

## FIXTURE MOUNTING

The GA Series is designed for compatibility with various styles of mounting; Surface Mount (To a Junction Box or by use of a Direct Mounting Bracket), Pendant Stem Mount, and Hook Mount. Cords will be provided in Direct Mount Bracket and Hook Mount applications.

### Surface Mount via Junction Box

This mounting method provides a Fixture Housing pre drilled for mounting the fixture directly to a junction box. Junction Box Gasket (Figure 1) **MUST** be utilized between the fixture housing and the junction box in order to comply with fixture ratings.

### Surface Mount via Direct Mount Bracket

This mounting method provides a fixture with a Stainless Steel Mounting bracket, Mounting Bracket Clip, and a Gasket for the Mounting Bracket Clip. (Figure 2). Mounting Bracket Gasket **MUST** be utilized between the Mounting Bracket Clip and the Fixture Housing in order to comply with fixture ratings.

### Pendant Stem Mount and Hook Mount

These mounting methods come with fixture side mounting accessories installed. Ensure UL Listed Wet Rated Components are used for the Pendant Canopy end of the Pendant Stem.

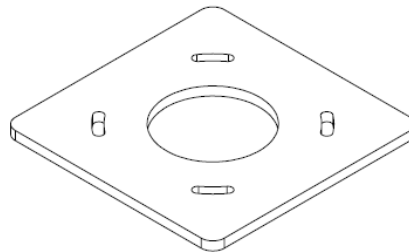


Figure 1

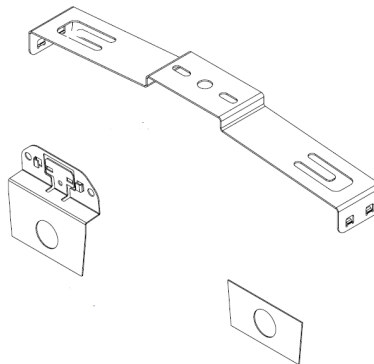


Figure 2