

FOR USE IN AMBIENT AND GENERAL LIGHTING APPLICATIONS

PROJECT
TYPE
PART NUMBER

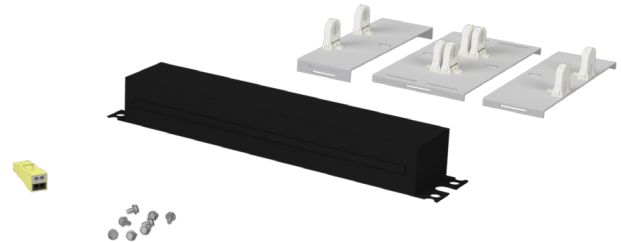
FEATURES

Pre-Wired and Assembled Brackets, Driver, Luminaire Disconnects and Accessories

Available in a Range of Lamp, Driver, Accessory, and Reflector Configurations

Accepts ESI reflectors for Tool Free Installation and Removal

Fits Most Strip Fixtures (4.25" or 5.00" channel widths)



SPECIFICATIONS

SOCKET BARS

0.028" pre-painted cold-rolled steel. Prepunched for lampholders and wire passageway. Tabs on socket bars securely mount the reflector in the correct position relative to the lamps. Note: ESI's optional uni-bracket is pictured in the diagrams.

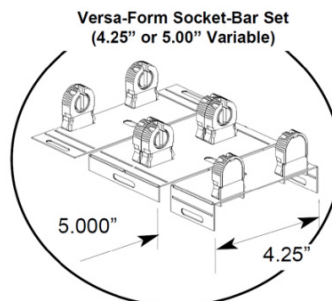
REFLECTOR

The reflector can be ordered with an 85% reflective anodized finish, a 95% reflective enhanced or film finish, or a 92% reflective white enamel. The substrate is 0.020" high quality aluminum. The reflector profile is optimized using computer analysis and manufactured using state of the art CNC equipment. A protective premask is applied to all reflective surfaces prior to manufacture.

INSTALLATION

For retrofit, the existing ballast covers, ballast, and socket bars are removed. For the pre-assembled option, install new driver, for direct-wired option, skip this step. The ESI socket bars are then fastened to the existing channel with selftapping screws. The reflector is positioned between the socket bars and attached with quarter-turn fasteners.

DIMENSIONAL INFORMATION



DIRECT-WIRED ORDERING INFORMATION

SIZE	LAMP TYPE	# OF LAMPS	STYLE	WIRING
K-14 1' x 4'	0 T8	1 1'X4' ONLY	VKTW-LED-PW	BLANK SINGLE-ENDED POWER
K-18 1' x 8'	1 T5	2 1'X4' OR 1'X8'		2 DOUBLE-ENDED POWER
		4 1'X8' ONLY		4 NO WIRES

PRE-ASSEMBLED WITH DRIVER ORDERING INFORMATION

SIZE	LAMP TYPE	# OF LAMPS	STYLE	DRIVER	PACKAGING
K-14 1' x 4'	0 T8	1 1'X4' ONLY	VKTW	UNVH HIGH DRIVER FACTOR	PA PRE-ASSEMBLED
K-18 1' x 8'	1 T5	2 1'X4' OR 1'X8'		UNVN NORMAL DRIVER FACTOR	
	2 T5HO	4 1'X8' ONLY		UNVL LOW DRIVER FACTOR	

