

FOR USE IN AMBIENT AND GENERAL LIGHTING APPLICATIONS

PROJECT
TYPE
PART NUMBER

FEATURES

- Suitable for Wet or Washdown Applications
- Superior light quality and photometric efficiency
- Constant current platform offers superior efficacy
- 100,000+ hour L70 life
- 0-10V Dimming standard



SPECIFICATIONS

CONSTRUCTION

5VA rated fiberglass composite housing

LENS

100% virgin impact resistant acrylic. Available in polycarbonate for high abuse environments or with a DR blend for maximum chemical resistance.

CONSTRUCTION

No tools are required for ballast access. Captive stainless steel or polycarbonate latches secure the lens.

MOUNTING

Stainless hanging straps allow easy fixture installation without drilling through the enclosure.

ELECTRICAL

LED Light Engine designed for reliability and long life operation
Standard 0-10V dimming to 1%
120 - 277 V standard; 347V or 480V available

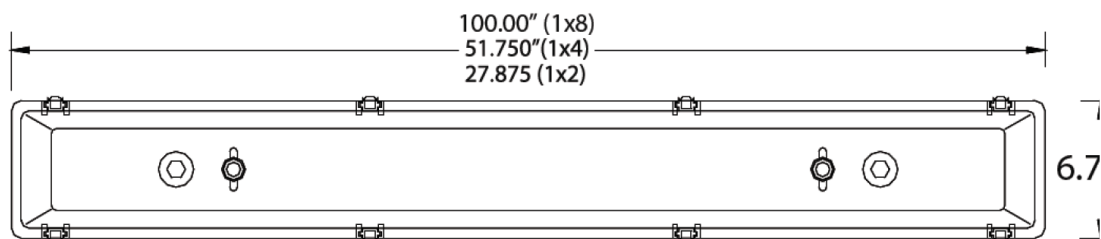
CONTROLS

Individual or grouping control with many solutions available
Consult factory for specific requirements

LISTINGS

DesignLights Consortium 5.1 qualified, see DLC QPL
ETL safety certified
Standard 5 year warranty / 10 year warranty available upon request

DIMENSIONAL INFORMATION



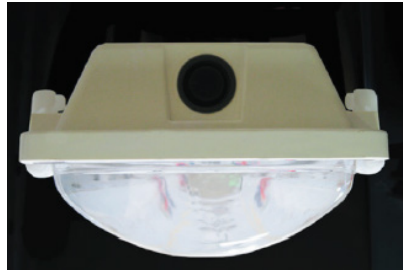
For height dimensions, see page 2 section labeled "LENS PROFILES"



LENS PROFILES



RIBBED LENS



SMOOTH LENS



DEEP LENS

FEATURES

100% impact modified (similar to DR), non-yellowing

Best in areas with UV exposure

Clear acrylic transmission - 93%

Frosted acrylic transmission - 88%

Clear polycarbonate transmission - 89%

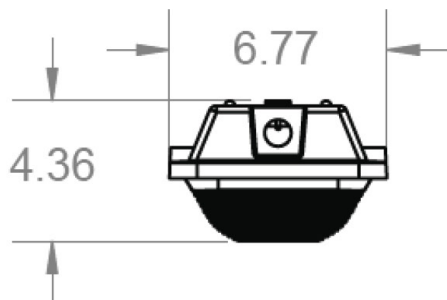
Frosted polycarbonate transmission - 82%

Ribbed - Best for obscuring the image of LED lamps

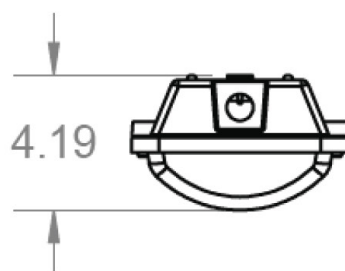
Smooth - Best for LED boards and overall light distribution

Deep - Best for use with reflectors or a wide distribution light distribution

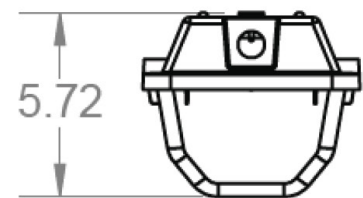
DIMENSIONAL INFORMATION



RIBBED LENS



SMOOTH LENS



DEEP LENS

ORDERING INFORMATION

STYLE	SIZE	LIGHT ENGINE			COLOR TEMP	OPTIONS
F FIXTURE	12VA 1' x 2'	1' X 2'	1' X 4'	1' X 8'	35 3500K	FR FROSTED RIBBED LENS
	14VA 1' x 4'	F2X5 15W 2406 LUMENS	F4L0 20W 3295 LUMENS	F4L4 24W 3991 LUMENS	40 4000K	CL CLEAR RIBBED LENS
	18VA 1' x 8'	F2X9 19W 2998 LUMENS	F4L5 25W 4051 LUMENS	F4N0 30W 4946 LUMENS	50 5000K	FRC FROSTED SMOOTH LENS
		F2L6 26W 4170 LUMENS	F4N0 30W 4789 LUMENS	F4M0 40W 6589 LUMENS		CLC CLEAR SMOOTH LENS
		F2N0 30W 4789 LUMENS	F4N4 34W 5394 LUMENS	F4H0 50W 8403 LUMENS		FD FROSTED DEEP LENS
			F4N8 38W 5914 LUMENS	F4V0 60W 9771 LUMENS		CD CLEAR DEEP LENS
			F4M3 43W 7028 LUMENS	F4V8 68W 10901 LUMENS		D 0-10 DIMMING
			F4H2 52W 8402 LUMENS	F4Y6 76W 12005 LUMENS		OCC OCCUPANCY SENSOR
			F4V3 63W 10071 LUMENS	F4Z6 87W 14160 LUMENS		SS STAINLESS STEEL LATCHES
				F4114 104W 16803 LUMENS		PC POLYCARBONATE PLASTIC LENSES
				F41L6 126W 20142 LUMENS		EM EMERGENCY BACKUP

Light engines represent clear lens option, contact factory for frosted lens data

CUSTOM OPTIONS

