

FOR USE IN AMBIENT AND GENERAL LIGHTING APPLICATIONS

PROJECT
TYPE
PART NUMBER

FEATURES

- Suitable for Wet or Washdown Applications
- Superior light quality and photometric efficiency
- Constant current platform offers superior efficacy
- 100,000+ hour L70 life
- Corrosion-resistant stainless steel latches are standard
- 0-10V Dimming standard



SPECIFICATIONS

CONSTRUCTION

5VA rated fiberglass composite housing

LENS

100% virgin impact resistant acrylic. Available in polycarbonate for high abuse environments or with a DR blend for maximum chemical resistance.

CONSTRUCTION

No tools are required for ballast access. Captive stainless steel latches secure the lens.

MOUNTING

Stainless hanging straps allow easy fixture installation without drilling through the enclosure.

ELECTRICAL

LED Light Engine designed for reliability and long life operation
Standard 0-10V dimming to 1%
120 - 277 V standard; 347V or 480V available

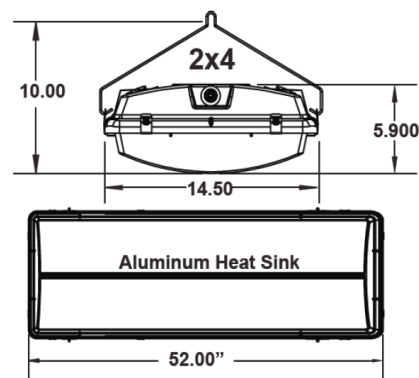
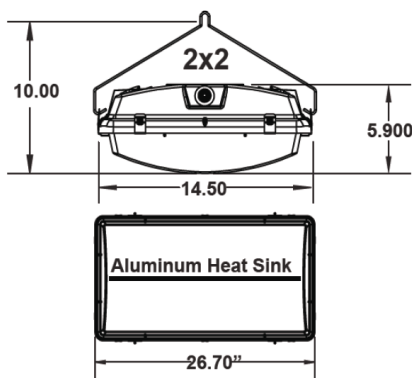
CONTROLS

Individual or grouping control with many solutions available
Consult factory for specific requirements

LISTINGS

DesignLights Consortium qualified, see DLC QPL
ETL safety certified
Standard 5 year warranty / 10 year warranty available upon request

DIMENSIONAL INFORMATION



ORDERING INFORMATION

STYLE	SIZE	LIGHT ENGINE		COLOR TEMP	STANDARD	OPTIONS
F FIXTURE	22VA 2' x 2'	2' X 2'	2' X 4'	35 3500K	BX INDIVIDUALLY BOXED	D 0-10V DIMMING
K RETROFIT KIT	24VA 2' x 4'	F2M0 41W 6239 LUMENS	F4110 100W 15573 LUMENS	40 4000K		FR FROSTED LENS
		F2H5 55W 8550 LUMENS	F41N0 129W 19903 LUMENS	50 5000K		CL CLEAR LENS
		F2Y0 69W 10988 LUMENS	F41H5 155W 24217 LUMENS			OBS ON BOARD SENSOR
		F2Z5 85W 13372 LUMENS	F41Z0 180W 27846 LUMENS			V V HANGERS
		F2110 100W 15573 LUMENS	F4210 200W 31145 LUMENS			Y Y TOGGLE HANGERS
		F21X5 111W 17387 LUMENS	F42N0 229W 35900 LUMENS			

Light engines represent FR lens option, contact factory for clear lens data

CUSTOM OPTIONS

ADDITIONAL GRAPHICS

