

FOR USE IN AMBIENT AND GENERAL LIGHTING APPLICATIONS

PROJECT  
TYPE  
PART NUMBER

## FEATURES

- Energy efficient replacement from fluorescent technology
- Seoul Semiconductor LEDs
- Wide range of lumen and wattage packages available
- 140-175 lumens per watt delivered
- Suited for damp locations
- 0-10 Volt dimming standard
- End to end illumination using a dependable light engine with an L70 of greater than 150,000 hours



## SPECIFICATIONS

### CONSTRUCTION

The solid 0.032" steel body provides added rigidity. The socket bars and endplates securely snap into place. The reflectors are attached to the fixture body with a tab-lock / quarter-turn system.

### REFLECTOR

Can be ordered with a 95% specular, a 85% specular, or a 92% diffuse white enamel. Substrate is 0.032" high quality Aluminum. A protective premask is applied to all reflective surfaces prior to manufacture.

### RETROFIT

Adjustable brackets can be hand-formed in the field to fit existing strip channels between 4.25" - 5.00"

### ELECTRICAL

LED Light Engine designed for reliability and long life operation  
Standard 0-10V dimming to 1%  
120 - 277 V standard  
480V available upon request

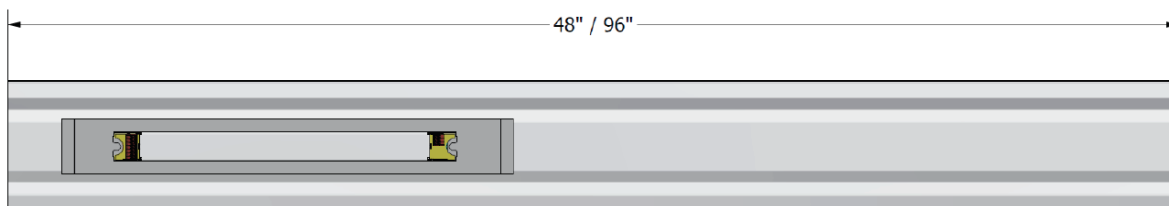
### CONTROLS

Individual or grouping control with many solutions available  
Consult factory for specific requirements

### LISTINGS

DesignLights Consortium 5.1 qualified, see DLC QPL  
ETL safety certified for damp locations  
Standard 5 year warranty / 10 year warranty available upon request

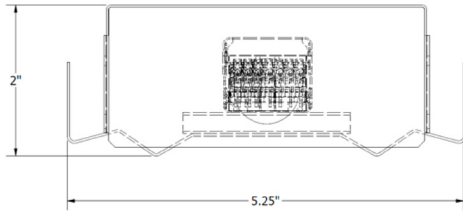
## DIMENSIONAL INFORMATION



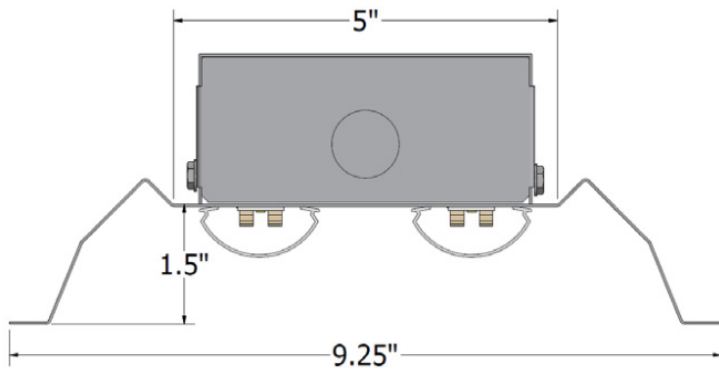
USA DESIGNED • USA MANUFACTURED • USA ASSEMBLED  
ENERGY SOLUTIONS INTERNATIONAL • WEST ST PAUL, MN • WWW.ESLIGHTING.COM • (651) 268 - 6060



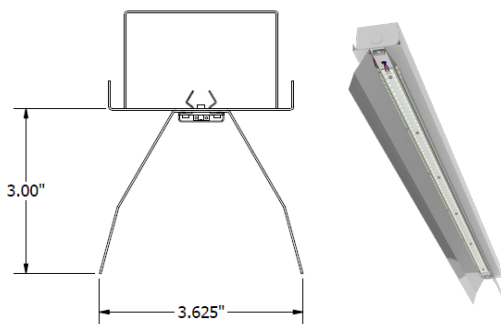
**1 BAR STANDARD PROFILE**



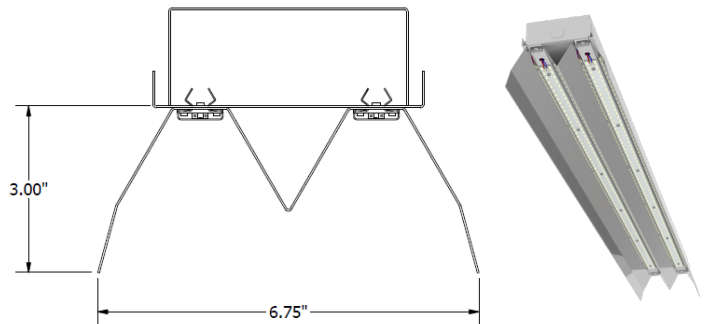
**2 BAR STANDARD PROFILE**



**AL REFLECTOR PROFILE**



1 BAR AL REFLECTOR



2 BAR AL REFLECTOR



**ORDERING INFORMATION**

STYLE	SIZE	LIGHT ENGINE				COLOR TEMP	OPTIONS
F FIXTURE	14VX 1' x 4'	1' X 4'		1' X 8'		35 3500K	FR FROSTED LENS (STANDARD OPTION)
	K RETROFIT KIT	18VX 1' x 8'	<b>1 BAR</b> <b>N4X8G5</b> 18W 3087LM OPEN 2807LM FROSTED  <b>N4L3G5</b> 23W 3865LM OPEN 3514LM FROSTED  <b>N4L8G5</b> 28W 4653LM OPEN 4231LM FROSTED  <b>N4N3G5</b> 33W 5399LM OPEN 4909LM FROSTED  <b>N4N6G5</b> 36W 5862LM OPEN 5330LM FROSTED  <b>N4M0G5</b> 38W 6069LM OPEN 5519LM FROSTED	<b>2 BAR</b> <b>N4M4G5</b> 44W 7120LM OPEN 6197LM FROSTED  <b>N4H3G5</b> 53W 8592LM OPEN 7478LM FROSTED  <b>N4H7G5</b> 57W 9236LM OPEN 8039LM FROSTED  <b>N4V7G5</b> 67W 10729LM OPEN 9338LM FROSTED  <b>N4Y0G5</b> 70W 11321LM OPEN 9853LM FROSTED	<b>1 BAR</b> <b>N4L3G5</b> 23W 3861LM OPEN 3511LM FROSTED  <b>N4L8G5</b> 28W 4888LM OPEN 4231LM FROSTED  <b>N4N6G5</b> 36W 6132LM OPEN 5576LM FROSTED  <b>N4M5G5</b> 45W 7598LM OPEN 6909LM FROSTED  <b>N4H6G5</b> 56W 9306LM OPEN 8462LM FROSTED  <b>N4V6G5</b> 66W 10797LM OPEN 9818LM FROSTED  <b>N4Y4G5</b> 74W 11968LM OPEN 10883LM FROSTED  <b>N4Z0G5</b> 80W 12844LM OPEN 11680LM FROSTED	<b>2 BAR</b> <b>N4Z8G5</b> 88W 14329LM OPEN 12471LM FROSTED  <b>N41I6G5</b> 106W 17184LM OPEN 14957LM FROSTED  <b>N41X4G5</b> 114W 18473LM OPEN 16078LM FROSTED  <b>N41N4G5</b> 133W 21491LM OPEN 18705LM FROSTED  <b>N41M0G5</b> 140W 22719LM OPEN 19774LM FROSTED	
*Light engine data based on 5000K CCT						50 5000K	
						<b>CUSTOM OPTIONS</b>	

**ADDITIONAL GRAPHICS**

