

FOR USE IN AMBIENT AND GENERAL LIGHTING APPLICATIONS

PROJECT
TYPE
PART NUMBER

FEATURES

- Energy efficient replacement from fluorescent technology
- 150,000 hr + L70
- Seoul Semiconductor LEDs
- Name brand LED Drivers
- Dimming option available upon request
- Wide range of lumen and wattage packages available
- Up to 142 lumens per watt delivered



SPECIFICATIONS

CONSTRUCTION

20ga. (0.036") pre-painted die formed steel with sufficient knockouts for mounting and electrical supply.

REFLECTOR

Can be ordered with a 95% specular, a 85% specular, or a 92% diffuse white enamel.

CONSTRUCTION

The steel body provides added rigidity. The socket bars and endplates securely snap into place. The reflectors are attached to the fixture body with a tab-lock / quarter-turn system.

ELECTRICAL

LED Light Engine designed for reliability and long life operation
Standard 0-10V dimming to 1%
120 - 277 V standard; 347V or 480V available

CONTROLS

Individual or grouping control with many solutions available
Consult factory for specific requirements

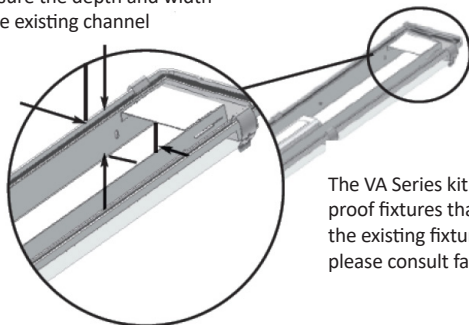
LISTINGS

DesignLights Consortium 5.1 qualified, see DLC QPL
ETL safety certified
Standard 5 year warranty / 10 year warranty available upon request

INSTALLATION INFORMATION

Measure the depth and width of the existing channel

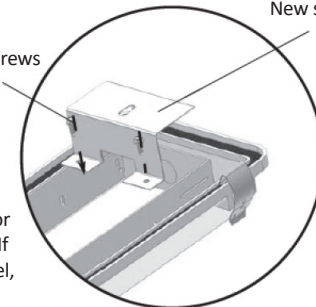
Reflectors install with quarter-turn fasteners



The VA Series kit is designed to retrofit existing vapor proof fixtures that have an integral fixture channel. If the existing fixture does not have an integral channel, please consult factory for available retrofit options.

Self-tapping screws

New socket bar



Install new socket-bars with self-tapping screws



ORDERING INFORMATION

| STYLE | SIZE | LIGHT ENGINE | | COLOR TEMP | FR-VA | STANDARD | OPTIONS | WIDTH | DEPTH |
|-------------------|------------------------|-------------------------------------|-------------------------------------|--------------------------------------|--------------------|------------------------------|------------------------------------|----------------------|----------------------|
| K RETROFIT KIT | 12VX 1' x 2' | 1' X 4' | 1' X 8' | 35 3500K | FR-VA | FR FROSTED LENS | D DIMMING | 4.25 4.25" | 1.50 1.50" |
| | | N4X8G5 18W 3087 LUMENS | N4M4G5 44W 7120 LUMENS | | | | | | |
| | 14VX 1' x 4' | 40 4000K | N4L3G5 23W 3865 LUMENS | N4H3G5 53W 8592 LUMENS | 50 5000K | VA VAPOR TIGHT KIT | SD STEP DIMMING | 4.50 4.50" | 1.75 1.75" |
| | | | N4L8G5 28W 4653 LUMENS | N4H7G5 57W 9236 LUMENS | | | | | |
| | 18VX 1' x 8' | 50 5000K | N4N3G5 33W 5399 LUMENS | N4V7G5 67W 10729 LUMENS | 50 5000K | VA VAPOR TIGHT KIT | LVD LINE VOLTAGE DIMMING | 4.75 4.75" | 2.50 2.50" |
| | | | N4N6G5 36W 5862 LUMENS | N4Y0G5 70W 11321 LUMENS | | | | | |
| | | | N4M0G5 38W 6069 LUMENS | | | | | | |
| | | | | | | | | | |

CUSTOM OPTIONS

