

FOR USE IN AMBIENT AND GENERAL LIGHTING APPLICATIONS

PROJECT  
TYPE  
PART NUMBER

## FEATURES

- Moisture resistant enclosure
- Long life 100,000+ hours
- Wide range of constant current outputs available
- Standard configurations achieve 120+ Lumens per Watt



## SPECIFICATIONS

### HOUSING

Die cast aluminum housing & hinged front frame, coin plugs with O-rings for conduit & photocell, Textured architectural bronze powder coat finish over a chromate conversion coating.

### MOUNTING

Cast-in template for mounting directly over a 4" recessed outlet box or use surface conduit Lens: Tempered flat clear glass lens.

### LEDS

Best efficacy of mid level power LEDs, 80+ CRI, utilizes aluminum substrate to provide superior thermal management.

### ELECTRICAL

LED Light Engine designed for reliability and long life operation  
Standard 0-10V dimming to 1%  
120 - 277 V standard; 347V or 480V available

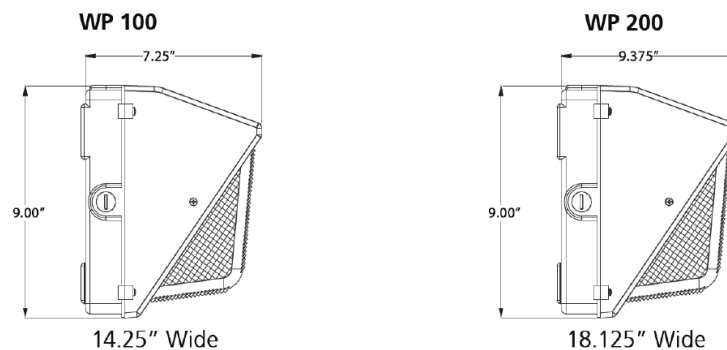
### CONTROLS

Individual or grouping control with many solutions available  
Consult factory for specific requirements

### LISTINGS

ETL safety certified for wet locations  
Standard 5 year warranty / 10 year warranty available upon request

## DIMENSIONAL INFORMATION



**ORDERING INFORMATION**

STYLE	SIZE	LIGHT ENGINE			COLOR TEMP	OPTIONS
F FIXTURE	WP50	WP50	WP100	WP200	35 3500K	PC PHOTOCELL
	WP100	F2N 10W 1610 LUMENS	F3N 30W 4386 LUMENS	F5N 50W 7259 LUMENS	40 4000K	8C1 8' CORD
	WP200	F3H 18W 2570 LUMENS		F8N 85W 11821 LUMENS	50 5000K	EA ENHANCED ALUMINUM HEATSINK

**CUSTOM OPTIONS**

