

# WPC LED FIXTURE CUT OFF WALL PACK



FOR USE IN AMBIENT AND GENERAL LIGHTING APPLICATIONS

PROJECT  
TYPE  
PART NUMBER

## FEATURES

- Calculated L70 life in excess of 100K hours
- Wet location enclosure
- Wide range of constant current outputs available
- 0-10 Volt dimming standard
- 3000K CCT meets International Dark Sky Association recommendation for outdoor lighting



## SPECIFICATIONS

### HOUSING

Die cast aluminum housing & hinged front frame, 1/2" coin plugs with O-rings for conduit & photocell. Textured architectural bronze powdercoat finish over a chromate conversion coating.

### ELECTRICAL

LED Light Engine designed for reliability and long life operation  
Standard 0-10V dimming to 1%  
120 - 277 V standard; 347V or 480V available

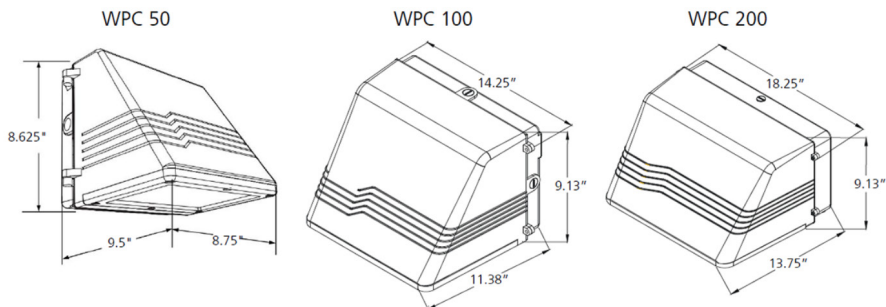
### CONTROLS

Individual or grouping control with many solutions available  
Consult factory for specific requirements

### LISTINGS

DesignLights Consortium 5.1 qualified, see DLC QPL  
ETL safety certified for wet locations  
Standard 5 year warranty / 10 year warranty available upon request

## DIMENSIONAL INFORMATION



USA DESIGNED • USA MANUFACTURED • USA ASSEMBLED  
ENERGY SOLUTIONS INTERNATIONAL • WEST ST PAUL, MN • WWW.ESLIGHTING.COM • (651) 268 - 6060



## ORDERING INFORMATION

STYLE	SIZE	LIGHT ENGINE			COLOR TEMP	OPTIONS
F FIXTURE	WPC50	WPC50	WPC100	WPC200	30 3000K	D DIMMING
	WPC100	F3X0 10W 1270 LUMENS	F3N0 28W 3399 LUMENS	F5H0 49W 5917 LUMENS	35 3500K	OCC OCCUPANCY SENSOR
	WPC200	F4X5 15W 1841 LUMENS	F4M0 37W 4523 LUMENS	F6V0 60W 7699 LUMENS	40 4000K	PC PHOTOCELL
		F4L0 20W 2279 LUMENS		F7Y0 70W 8982 LUMENS	50 5000K	
			F8Z0 80W 10467 LUMENS			
			F9C0 89W 11624 LUMENS			

\*Light engine data represents 5000K CCT

CUSTOM  
OPTIONS

