

FOR USE IN AMBIENT AND GENERAL LIGHTING APPLICATIONS

## GENERAL DETAILS AND BENEFITS

The RC core kit is a retrofit kit for a direct indirect lighting fixture.

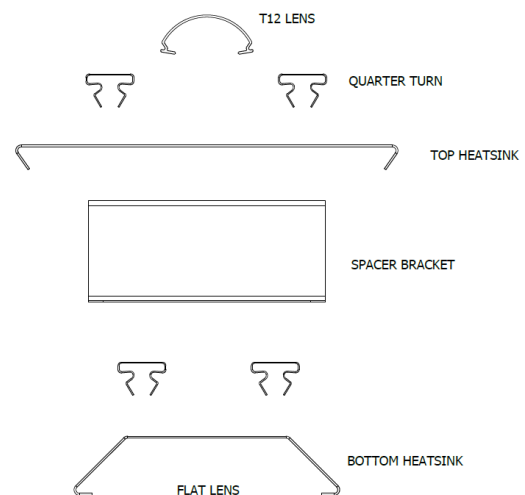
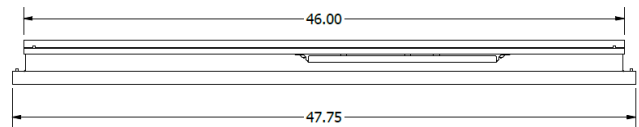
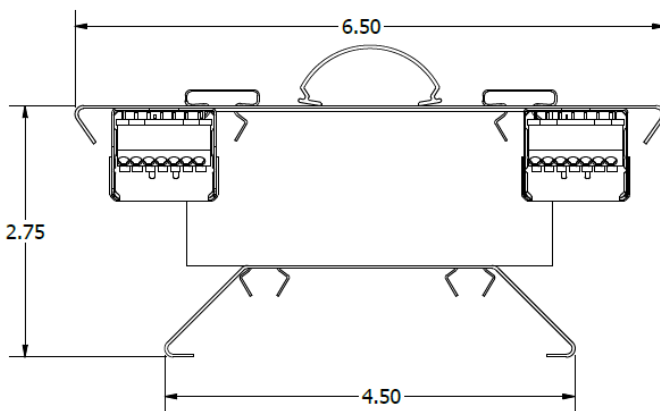
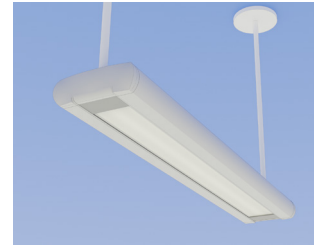
This style of kit is repeatable in many different fluorescent fixtures direct/indirect .

An acrylic flat lens and acrylic curved lens are used in combination to distribute light below and above the fixture.

The kit contains corresponding cutouts for hanging and electrical connections on the existing fixture.

The kit is simple and quick to install making for an easy and fast retrofit project.

Contact customer service with any questions about available controls options.



	4' LENGTH	8' LENGTH
<b>WATTAGE</b>	<b>20W - 60W</b>	<b>40W - 100W</b>
<b>LUMENS</b>	<b>2,620 - 7,860</b>	<b>5,240 - 13,100</b>
<b>COLOR TEMPERATURE</b>	<b>3500K - 5000K</b>	
<b>L70</b>	<b>150,000 +</b>	

